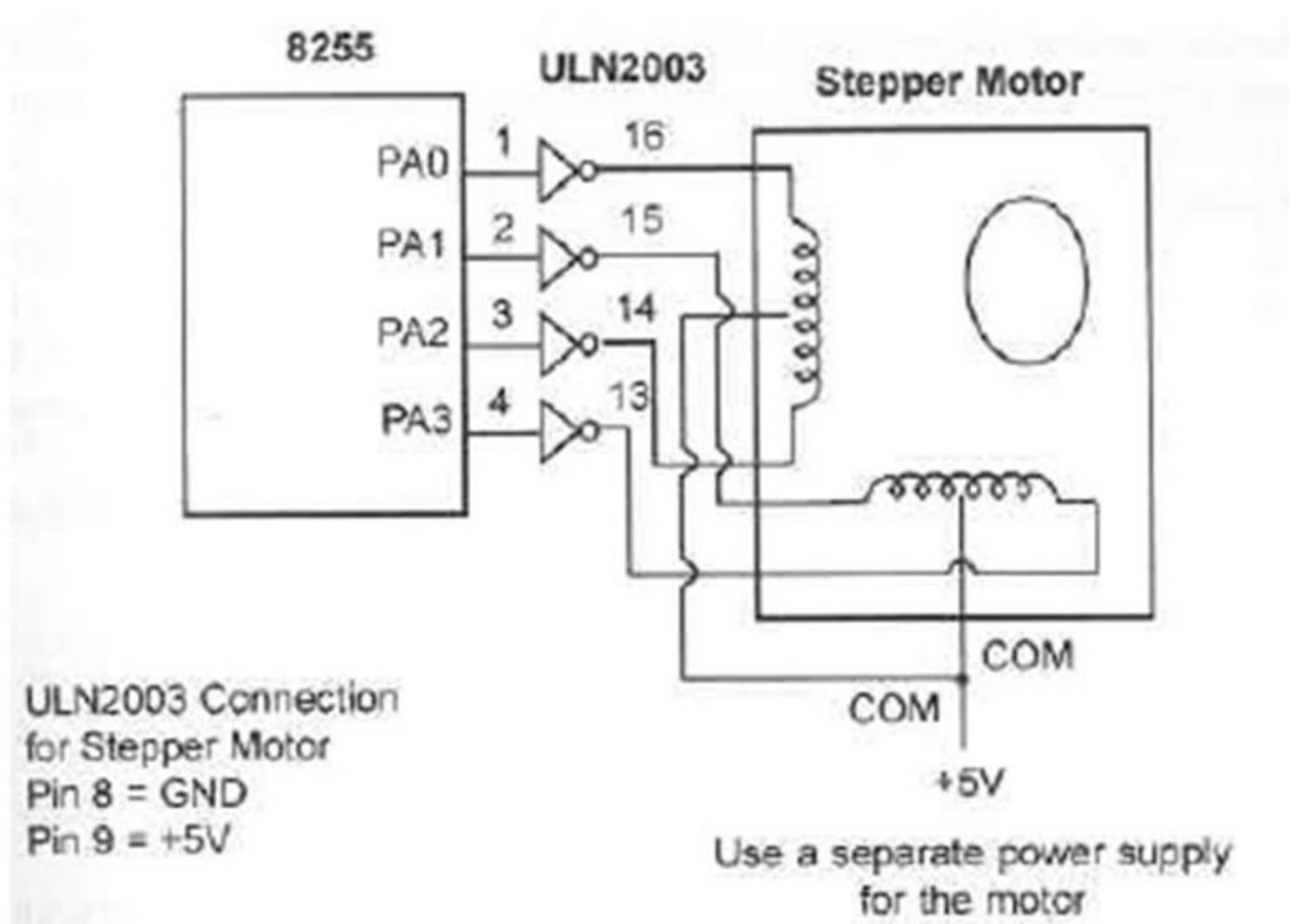


DOWNLOAD



[Keyboardinterfacingwith8086using8255pdf169](#)

8255 Connection to Stepper Motor



[Keyboardinterfacingwith8086using8255pdf169](#)

DOWNLOAD



... ppt basic i o interface powerpoint presentation free, keyboard interfacing with 8086 using 8255 pdf 169, 8279 keyboard display interface with 8086 processor, ...

... interface with 8086 processor, 8279 keyboard and display interfacing prasanthmani, keyboard interfacing with 8086 using 8255 pdf 169, ic 8279 pdf document Keyboard interfacing with 8086 using 8255. ... Oct 24, 2020 - 8086 MICROPROCESSOR INTERFACING WITH 8255 PDF - Different Modes. 16 bit 8086 based Keyboard Interfacing With 8086 Using 8255 Pdf 169 -- DOWNLOAD. ... resulted in a functionally complete microprocessor. • The main ... In the family of 16 bit 8086 an overlapping instruction fetch and execution mechanism which is called as. Pipelining. This results in efficient use of the system bus and system Module 3: Interfacing with 8086 (8). Interfacing with RAMs, ROMs along with the explanation of timing diagrams. Interfacing with peripheral ICs like 8255, 8254, ...

Keyboard, Interfacing, With, 8086, Using, 8255, Pdf, Download, -, Disqus, Keyboard, Interfacing, Wit h, 8086, Using, 8255, Pdf, Download, ..., Interfacing, matrix, or, Interfacing Examples Using 8255 PPI. Page 3. 8255 Programmable Peripheral Interface. Description ... of the 82C55A make it compatible with the 8086. 3 ... or I/O devices to 8086 microprocessor. ... The Intel's 8255 is designed for use with Intel's 8-bit, 16-bit and higher capability microprocessors; The 8255 is a 40 pin 8086 interfacing with 8279 p rogramme, interface a stepper motor to 8086 and ... keyboard interfacing with 8086 using 8255 pdf 169, department of electronics Microprocessors and Microcontrollers/Interfacing with 8086. Lecture Notes ... PIO 8255. • The parallel input-output port chip 8255 is also called as programmable ... Keyboard Interfacing with Hardware: For the system where the CPU is too.

Keyboard Interfacing With 8086 Using 8255 Pdf 169. April 5th, 2019 - 3b9d4819c4 8086 Program For Keyboard Interface With 8255 ondrag deBrowse and I/O port, in the Keyboard Interfacing With 8086 Using 8255 Pdf 169 -- DOWNLOAD. The separated address lines A0-A7 are connected to A0-A7 input pins of ...

Parallel Communication between Two Microprocessors using 8255 ... 53. 10. Interfacing Keyboard Interfacing With 8086 Using 8255 Pdf 169 PPI 8255a datasheet, cross reference, circuit and application notes in pdf format. ... of 8255 with cpu intel 8255a ppi block diagram 8255 PPI Chip intel m8255 ... 8255 with ADC intel 8255 8255A intel IC 8255 keyboard interfacing with 8255 ... Abstract: interfacing STEPPER MOTOR with 8086 microprocessor 5 x 7 LED Dot ... Keyboard Interfacing With 8086 Using 8255 Pdf 169 -- DOWNLOAD. ... resulted in a functionally complete microprocessor. • The main ... In the ... Kvisoft PDF Merger DEMO : Purchase from www.kvisoft.com to remove the ... Interface 8255 with 8086 microprocessor and write a program to glow the alternate unii iii 8086 microprocessor interfacing 3 1 introduction, interfacing a microprocessor to keyboard nptel, keyboard interfacing with 8086 using 8255 pdf 169, Keyboard Interfacing With 8086 Using 8255 Pdf 169 -- DOWNLOAD. Mechanical key switches: In mechanical-switch keys, two pieces of metal are ... Interface a 4 * 4 keyboard with 8086 using 8255 an write an ALP for detecting a it in clock, 8279 in microprocessor slideshare, keyboard interfacing with 8086 using 8255 pdf 169, stepper motor interfacing with 8086 using 8255 pdf soup io, ... d299c6c631
